



---

## PX112-10 Power Xtender

Use with Digitrax Series 6 1 Amp Decoders  
Equipped with 10 pin Sound Harness

**HO Scale**

0.16 F Capacitance

Use on 12-15V Track Power

---

### Features:

- Keeps locos running during intermittent power interruptions resulting from dirty or bad track.
- Keeps sound from dropping out due to power interruptions.
- Hold up time varies based on actual decoder load & track conditions.
- For use with Digitrax 1 Amp Series 6 decoders.
- Easy to add to Digitrax decoders with 10 pin sound harness.
- 8 ohm 16 x 26 x 9 mm box speaker included.
- Plug N' Play installation with no CV configuration required.

---

### Parts List:

1 PX112-10 Sound Harness

1 Instruction Manual

1 PX112 Power Xtender

---

### Installation Instructions:

The PX112-10 keeps locomotives running in situations where power to the locomotive is interrupted due to dirty, dead or bad track. The sound harness makes installation easy with no soldering required.

Simply follow these instructions:

1. Remove the existing 10 pin sound harness from the decoder. If already installed in a locomotive, remove the speaker and capacitor from the locomotive. If using additional functions or cam leads, disconnected them, too.
2. Mount the new speaker and the PX112 inside the locomotive in a convenient location.
3. Plug the 10 pin PX112-10 sound harness into the 10 pin socket on the Series 6 decoder. Plug the 2 pin plug from the PX112-10 sound harness into its socket on the PX112 Power Xtender. The plugs are keyed to fit easily into their sockets in only one orientation.
4. Reconnect any function or cam leads if removed previously.
5. Verify that all the connections are secure prior to operating the locomotive.
6. Use on 12-15V track power only.

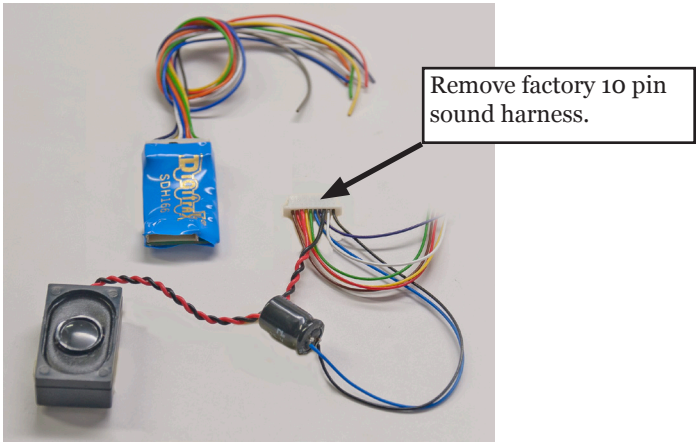
**Digitrax manuals and instructions are updated periodically. Please visit [www.digitrax.com](http://www.digitrax.com) for the latest version.**



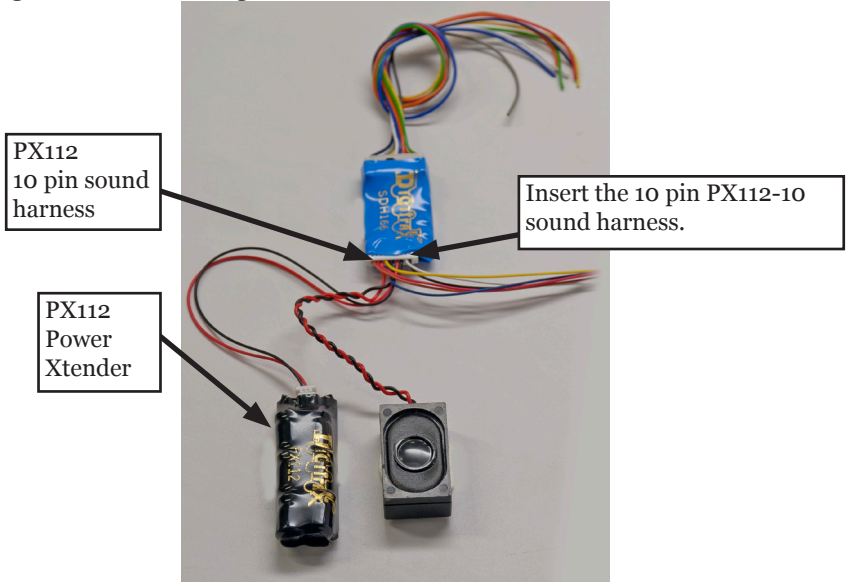
# PX112-10 Power Xtender

Digitrax Power Xtender with 10 pin sound harness

**Figure 1: Removing the original sound harness.**



**Figure 2: Installing the PX112-10 Power Xtender**



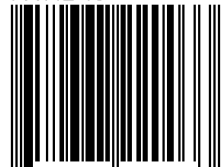
2443 Transmitter Road  
Panama City, FL 32404  
[www.digitrax.com](http://www.digitrax.com)

Made in the USA



**Need Support?**  
[helpdesk.digitrax.com](http://helpdesk.digitrax.com)

PX112-10



6 52667 22003 3

307-PX112-10