



PX108-2 Power Xtender

Use with Digitrax Series 6 1 Amp Decoders
Equipped with 2 pin PX socket or solder pad
connections

HO Scale

0.33 F Capacitance

Use on 10-18V Track Power

1.007" x 0.492" x 0.299" (25.6mm x 12.5mm x 7.6mm)

Features:

- Keeps locos running during intermittent power interruptions resulting from dirty or bad track.
- Hold up time varies based on actual decoder load & track conditions.
- For use with Digitrax 1 Amp Series 6 decoders.
- Easy to add to Digitrax decoders with 2 pin PX socket.
- Easy to add to Digitrax decoders with PX solder pad connections.
- Plug N' Play installation with no CV configuration required.

Parts List:

1 PX108-2 Harness

1 Instruction Sheet

1 PX108 Power Xtender

Installation Instructions:

The PX108-2 keeps locomotives running in situations where power to the locomotive is interrupted due to dirty, dead or bad track. The 2 pin harness makes installation easy on 2 pin PX socket. In the absence of a 2 pin PX socket the use of solder pads may be required for installation.

Simply follow these instructions:

1. To install simply plug one end of the 2 pin PX108-2 harness into the 2 pin PX socket on your decoder. For decoders that require a soldered connection for the PX108-2 please follow the instructions included with your decoder.
2. Plug the other end of the 2 pin PX108-2 harness into its socket on the PX112 Power Xtender. The plugs are keyed to fit easily into their sockets in only one orientation.
3. Route wires and secure the PX108 Power Extender unit as needed.
4. Verify that all the connections are secure prior to operating the locomotive.
5. Use on 10-18V track power only.

Digitrax manuals and instructions are updated periodically. Please visit www.digitrax.com for the latest version.



PX108-2 Power Xtender

Digitrax Power Xtender with 2 pin harness

Figure 1: Find the 2 pin Power Xtender socket.

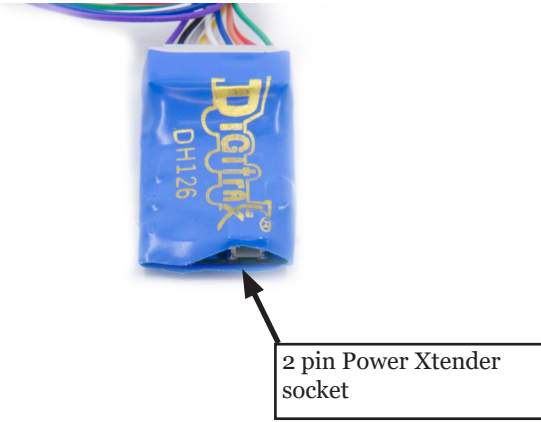
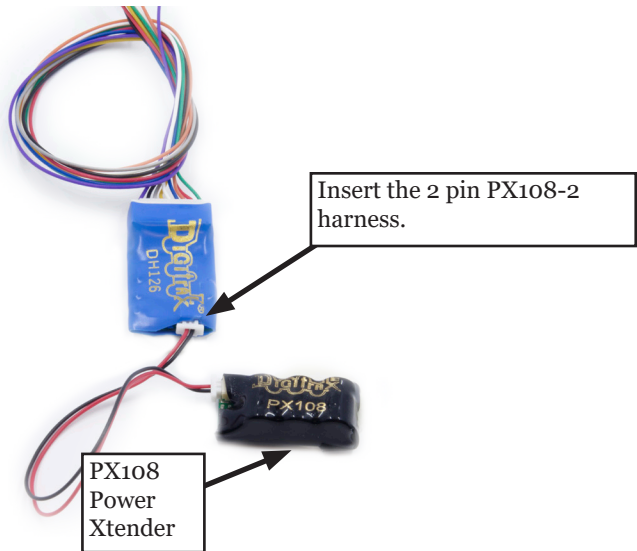


Figure 2: Installing the PX108-2 Power Xtender



2443 Transmitter Road
Panama City, FL 32404
www.digitrax.com

Made in the USA



Need Support?
helpdesk.digitrax.com

PX108-2



6 52667 22005 7

307-2101-0000