



DZ125PS

Z Scale

**Fits Many Z, N and HO Scale
Locomotives**

**Mobile Decoder
1.0 Amp/1.25 Amps Peak
2 FX³ Functions, 0.5 Amp
DCC Plug 'N Play with 1" Harness**

Features:

- **Plug 'N Play 8-pin Medium DCC plug** design makes installation quick and easy.
- **Works with many DCC-ready Z, N, and HO scale locomotives up to 18V track voltage**
- **Digitrax LocoMotion[®] System**-Your locomotives look like the real thing. The Digitrax LocoMotion System makes them run like the real thing, too!
 - Torque Compensation** for smooth as silk silent operation.
 - 128 Speed Step** operation (14 or 28 steps can also be used).
 - Momentum** with acceleration and deceleration.
 - Normal Direction of Travel** is user selectable.
 - Switching Speed** feature for easier and faster access to yard speeds.
 - 3 Step Speed Tables** set start, mid and max voltage for custom control.
 - 28 Step Speed Tables** with 256 level resolution for precise control.
- **SuperSonic** motor drive for silent operation.
- **Scaleable Speed Stabilization (Back EMF)** with simple setup & 1024 level resolution.
- **FX³ Function** outputs for prototypical lighting effects and on/off control:
 - Constant Brightness Lighting** with directional or independent control.
 - Realistic Effects** like Ditch lights, Mars lights, strobes, and many more.
 - FX³ & Standard Function Qualifiers** operate functions based on direction, F0 on or off, direction and F0, and whether loco is moving.
 - Function Remapping** of 14 functions for custom function setup.
 - Master Light Switch** turns off all lights & functions with one keystroke.
- **Transponder ID Equipped** ready for transponding on your Layout
 - Compatible with digital surround sound systems
- **All Mode Programming**
- **Decoder Reset CV** with or without speed table reset.
- **Motor Isolation Protection** prevents damage to your decoder.
- **Basic, Advanced & UniVersal Consisting**
- **2 Digit and 4 Digit Addressing**
- **DCC Compatible**

Parts List

1 DZ125PS Decoder

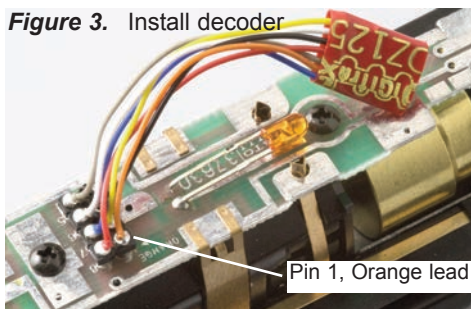
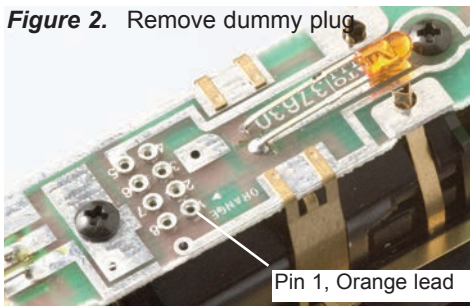
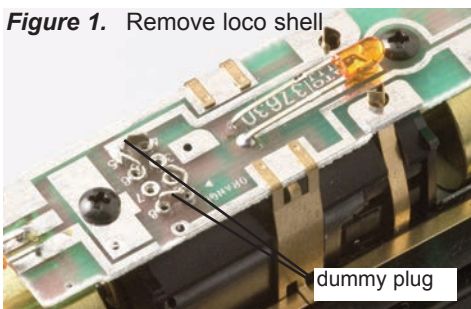
1 Instruction sheet

Installation Information

See the Digitrax Decoder Manual for complete decoder test procedures, installation instructions, programming and technical information. Digitrax manuals and instructions are updated periodically. Please visit www.digitrax.com for the latest versions, technical updates and additional locomotive-specific installation instructions.

Installation Instructions - Kato F40PH (HO Scale)

1. Carefully remove the locomotive's shell from the frame. Notice the orientation of the shell to the frame (**Figure 1**) so that you can reinstall the shell correctly.
2. Remove the dummy plug from the locomotive's DCC-ready socket. (**Figure 2**) The jumper plug allows the loco to operate on a standard DC track or in analog mode on a DCC track. Pin 1 is marked for proper orientation of the decoder.
3. The DZ125PS has a short, 1" harness with a DCC 8-pin plug on the end of it. The plug is oriented so the pin for the orange wire is inserted in the socket marked "pin 1." Seat the decoder firmly in the socket. (**Figure 3**)
4. Replace the loco shell. You are now ready to run your locomotive. The DZ125PS is factory programmed to address 03. You can easily customize the address and other features. See section "Customizing Your Decoder" that follows.





Installation Notes:

1. Do not exceed the decoder's 500mA total function output rating.
2. We recommend that the Blue wire, also called +Common or Lamp Common, be connected as shown. If you wish to omit the Blue wire in your installation, consult the Digitrax Decoder Manual for more information.
3. The head lamp should be hooked up using the Blue/+Common wire for optimal Digitrax transponding operation.
4. To use a function output with an inductive (coil) type load, see the Digitrax Decoder Manual for more information to avoid damage to the decoder.
5. See the Digitrax Decoder Manual for full details of wiring 12-16V lamps, 1.5V lamps, and LEDs. Lamps that draw more than 80 mA when running require a 22 ohm 1/4 watt resistor in series with the directional light function lead to protect the decoder.
6. Some locomotives employ filter capacitors for RFI suppression in the locomotive wiring. These may cause problems with Supersonic decoders and non-decoder analog operation on DCC. This capacitor should be removed for safe operation.

Customizing Your Decoder

Your Digitrax decoder is ready to run and will operate using address 03 with no additional programming. For a more prototypical railroading experience, your decoder can be customized for your specific locomotive by programming some of the Configuration Variables, or CVs, available. See the Digitrax Decoder Manual or the Digitrax web site for more information.

Changing the Decoder Address

The first CV most people change is the decoder address. This allows you to independently control each loco with a unique address. Digitrax decoders are shipped with CV01 (AD2), the two digit address, set to 03. Following is a brief description of how to change the decoder address with a Digitrax DT series throttle. See your Starter Set Manual for complete programming instructions.

1. Place the loco on the programming track. Go into Program Mode on your system. On DT400/DT402 press **PROG**. On DT300, DT100 & DT200 press **RUN/STOP & FN/F0**.
2. Choose AD2 for 2 digit addressing or AD4 for 4 digit addressing (DT400/DT402 and DT300). (Ad for DT100 & DT200, see set manual for 4 digit instructions).
3. Choose the address you want to set up for the decoder.
4. Complete address programming. On DT400/DT402 press **ENTER**. On DT300, DT100 & DT200 press **SEL**.

Note: CV29 must also be programmed to enable 4 digit addressing, this is done automatically by the DT400/DT402 & DT300 but not on earlier throttles.



Digitrax LocoMotion® System

Your locomotives look like the real thing, now you can make them run like the real thing, too. Digitrax decoders incorporate torque compensation for smooth as silk operation. You can also program CVs that control momentum, 3 step and 128 step speed tables, switching speed, normal direction of travel, scaleable speed stabilization and more to take full advantage of the Digitrax LocoMotion® System.

Momentum-CV03 & CV04

Momentum is part of the LocoMotion® System. Acceleration is controlled by CV03 and deceleration by CV04. Both come from the factory set to 000. A range of 000 to 031 is available for both accel and decel. Try CV03:003 and CV04:000 as a starting point for experimenting with momentum.

Speed Tables-How the Loco Responds to the Throttle

With Digitrax LocoMotion®, there are two types of speed tables: 3 Step Tables and High Resolution 28 Step Tables. Please see your Decoder Manual for a discussion of the 28 Step Tables. The 3 Step Tables are set up by programming 3 CVs: Start Voltage (CV02), Mid point Voltage (CV06) and Max Voltage (CV05). These values are set at 000 at the factory. All have a range of values from 000 to 255. We recommend the following CV values as a starting point for experimenting with speed tables.

| Loco Type | V Start CV02 | V Mid CV06 | V Max CV05 |
|---|-----------------|---------------|---------------|
| Switcher Concentrated low speed. Limited top speed | 002 | 038 | 064 |
| Road Switcher Prototypical top speed w/evenly distributed curve from 0 to top speed | 002 | 048 | 098 |
| Mainline Loco Quick increase to cruising speed then levels off to prototypical top speed. | 002 | 128 | 154 |



Other LocoMotion® Features: Switching Speed & Normal Direction of Travel

Switching speed is controlled by CV54. The factory setting is 000 for OFF. To turn on the switching speed feature, program CV54 to a value of 001. When this feature is on, use F6 to activate and deactivate switching speed. When switching speed is ON and F6 is ON, the switching speed feature is on. With the feature ON, the throttle's target speed is effectively reduced by about 50% and the effects of accel and decel programmed into the decoder are reduced by 1/4. This is useful for yard switching operations.

Normal Direction of Travel is controlled by CV29. See your decoder manual for additional information on the settings for CV29.

This decoder **supports** Scaleable Speed Stabilization (Back EMF)

SuperSonic Silent Operation and Torque Compensation

The factory settings in the decoder provide silent, smooth operation of your locomotive under most conditions. For more information about these settings, please see the Digitrax Decoder Manual or our website.

Digitrax Transponding CV61

Digitrax Transponding is controlled by CV61. The initial factory set value is 000 for **OFF**. To turn **ON** transponding, program CV61 to a value of 002. This allows you to use Digitrax transponding to keep track of your rolling stock. When transponding is enabled, the front light of the locomotive will flicker slightly to indicate transponding signal is being communicated. For optimal transponding operation, we recommend that you hook up the forward and rear lights as shown in the wiring diagram (*Figure 1*).

Decoder Reset CV08

Decoder reset lets you reset all CV values to the initial factory settings. To reset all CV values, program CV08 to a value of 008. You also have the option of resetting all values except the 28 speed step tables. To do this, program CV08 to a value of 009.



Function Outputs on the DZ125PS

The DZ123 is set up at the factory to control two function outputs. The DZ123 is configured to control the forward and reverse lights on the locomotive through the white lead and yellow lead using Function 0 (F0F-forward and F0R-reverse) for directional lighting. Both function outputs can be easily set up with Digitrax FX³ lighting effects or as standard on/off functions with the following operational qualifiers:

1. Forward or Reverse direction of travel, or
2. Whether F0 is on or off, or
3. Both direction of travel and whether F0 is on or off, or
4. Whether the locomotive is stopped or moving.

Master Light Switch

Each of the function outputs can be programmed to turn on and off with the F0 ON/OFF key on your throttle, creating a Master Light Switch. The CV values for creating this effect are listed in the Digitrax Decoder Manual in the section: *Setting Up FX & FX³ Effects on Function Outputs*.

Function Remapping

Function remapping allows you to program the function outputs of your decoder to be controlled by selected function keys on your throttle. Please consult the Digitrax Decoder Manual or website for information on function remapping.

Warranty & Repair

Digitrax gives a one year *"No Worries" Warranty* against manufacturing defects and accidental customer damage on all Digitrax products.

That's it! A simple, straightforward warranty with no tricky language!

Visit www.digitrax.com for complete warranty details and instructions for returning items for repair.



Wire Color Code

The DZ125PS wire color code is as follows:

- Black** Left Side Power Pickup
- Gray** Motor -
- Yellow** F0R (Reverse light)
- White** F0F (Forward light)
- Blue** Lamp Common
- Orange** Motor +
- Red** Right Side Power Pickup

Digitrax, Inc. is not responsible for unintentional errors or omissions in this document.



DZ125PS

Fits a Variety of Z, N and HO Scale Locomotives

Go Beyond DCC With **Digitrax** Complete Train Control

Main Station

Starter Sets
LocoNet®
Power Supplies

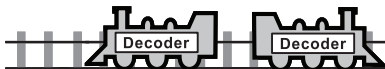


Your Digitrax LocoNet® Starter Set is just the beginning of an exciting trip! Pick the one that's right for you!



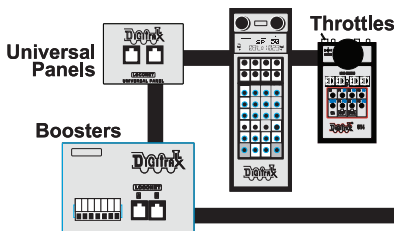
Locomotive Shops

Mobile Decoders
Function Decoders
SoundFX™ Decoders



More Fun For Everyone

Add More Boosters, Advanced & Simple Throttles, Power Supplies, Universal Panels, IR and/or Radio for more trains and operators.



Maintenance Of Way

Make your layout more fun & simpler to operate!



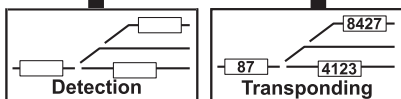
Automatic Reversing & Power Management

Stationary Decoders

Signals

Computer Controls

Computer Interface
Decoder Programmer
Sound Programmer



It All Adds Up To Complete Train Control



2443 Transmitter Road
Panama City, FL 32404

www.digitrax.com
T 850-872-9890
F 850-872-9557

Made in U.S.A.



DZ125PS



6 52667 05057 9

307-DZ125PS - INS