



# DG383AR

**G Scale**

Fits AristoCraft RS3, RDC and other locomotives with one motor per truck and the AristoCraft DCC Ready Socket

Mobile Decoder  
DCC Plug 'N Play  
3 Amps/5 Amps Peak  
8 FX<sup>3</sup> Functions, 2.0 Amps

## Features:

- **Digitrax LocoMotion<sup>®</sup> System**-Your locomotives look like the real thing. The Digitrax LocoMotion System makes them run like the real thing, too!
  - Torque Compensation** for smooth as silk silent operation.
  - 128 Speed Step** operation (14 or 28 steps can also be used).
  - Momentum** with acceleration and deceleration.
  - Normal Direction of Travel** is user selectable.
  - Switching Speed** feature for easier and faster access to yard speeds.
  - 3 Step Speed Tables** set start, mid and max voltage for custom control.
  - 28 Step Speed Tables** with 256 level resolution for precise control.
- **Scaleable Speed Stabilization (Back EMF)** with simple setup & 256 level resolution.
- **SuperSonic** motor drive for silent operation.
- **FX<sup>3</sup> Function** outputs for prototypical lighting effects and on/off control:
  - Constant Brightness Lighting** with directional or independent control.
  - Realistic Effects** like Ditch lights, Mars lights, strobes, and many more.
  - FX<sup>3</sup> & Standard Function Qualifiers** operate functions based on direction, F0 on or off, direction and F0, and whether loco is moving.
  - Function Remapping** for custom function setup.
  - Master Light Switch** turns off all lights & functions with one keystroke.
  - Advanced Consist Function Controls**
- **Plug 'N Play** design makes installation quick and easy.
- **Digitrax 9-Pin Function Plug** for added convenience.
- **Transponder equipped** ready for transponding on your layout.
  - Compatible with digital surround sound systems.
- **All Mode Programming with Operations Mode Read Back** reads back CV values right on the mainline with Transponder equipped layouts.
- **Decoder Reset CV** with or without speed table reset.
- **Motor Isolation Protection** prevents damage to your decoder.
- **Basic, Advanced & UniVersal Consisting**
- **2 Digit and 4 Digit Addressing**
- **DCC Compatible**
- **FCC Part 15, Class B RFI compliant**

## Parts List

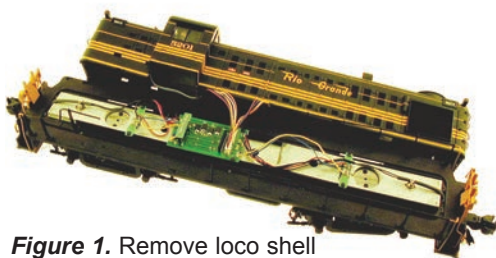
- |                                   |                     |
|-----------------------------------|---------------------|
| 1 DG383AR Decoder                 | 1 Instruction sheet |
| 1 Digitrax 9-Pin Function Harness |                     |

## Installation Information

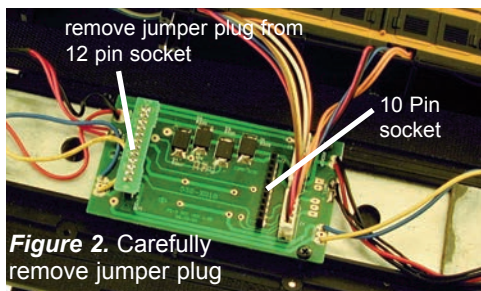
See the Digitrax Decoder Manual for complete decoder test procedures, installation instructions, programming and technical information. Digitrax manuals and instructions are updated periodically. Please visit [www.digitrax.com](http://www.digitrax.com) for the latest versions, technical updates and additional locomotive-specific installation instructions.

## Installation Instructions

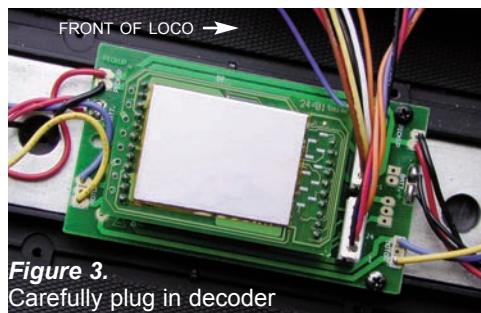
1. Remove the locomotive shell (**Figure 1**) being careful not to disconnect any of the existing wiring.
2. Remove the jumper plug from the locomotive's 12 pin DCC-ready socket. (**Figure 2**) The jumper plug allows the locomotive to operate on a standard DC track or in analog mode on a DCC track.
3. Plug the DG383AR decoder into the socket making sure that 12-pin plug and the 10-pin plug on the decoder are installed into the correct sockets. (**Figure 3**) The ten pin connector is used only for support of the decoder board, it does not have any electrical connections. Seat the decoder firmly in the socket.
4. Replace the loco shell on the frame. The loco is now ready to run on your DCC system using the factory set address 03. See next page for customizing.



**Figure 1.** Remove loco shell



**Figure 2.** Carefully remove jumper plug



**Figure 3.** Carefully plug in decoder



---

### Installation Notes:

1. Function outputs are rated at 2 Amps each. Do not exceed the decoder's 3 Amp total output rating. This total includes the motor current and total of all function output currents.
2. To use a function output with an inductive (coil) type load, see the Digitrax Decoder Manual for more information to avoid damage to the decoder.
3. See the Digitrax Decoder Manual for full details of wiring 12-16V lamps, 1.5V lamps, and LEDs. Lamps that draw more than 80 mA when running require a 22 ohm 1/4 watt resistor in series with the directional light function lead to protect the decoder.
4. Not for use in locomotives with 2 motor per truck units such as the AristoCraft G-scale SD45, because their stall current can be as high as 9 amps. Please use a higher current capacity decoder in these installations.

---

### Customizing Your Decoder

Your Digitrax decoder is ready to run and will operate using address 03 with no additional programming. However, for a more prototypical railroading experience, your decoder can be customized for your specific locomotive and layout requirements by programming some of the many Configuration Variables, or CVs, available. Some of the most commonly used CVs, their factory settings and uses are listed below. The Digitrax Decoder Manual, available on line at [www.digitrax.com](http://www.digitrax.com), contains complete information on how to use these and other CVs and the range of CV values available.

---

### Changing the Decoder Address

The first CV most people change is the decoder address. This allows you to independently control each loco with a unique address. Digitrax decoders are shipped with CV01 (AD2), the two digit address, set to 03. Following is a brief description of how to change the decoder address with a Digitrax DT series throttle. See your Starter Set Manual for complete programming instructions.

1. Place the loco on the programming track. Go into Program Mode on your system. On DT400 press **PROG**. On DT300, DT100 & DT200 press **RUN/STOP & FN/F0**.
2. Choose AD2 for 2 digit addressing or AD4 for 4 digit addressing (DT300 & DT400). (Ad for DT100 & DT200, see set manual for 4 digit instructions).
3. Choose the address you want to set up for the decoder.
4. Complete address programming. On DT400 press **ENTER**. On DT300, DT100 & DT200 press **SEL**.

**Note:** CV29 must also be programmed to enable 4 digit addressing, this is done automatically by the DT300 & DT400 but not on earlier throttles.



---

## **Digitrax LocoMotion® System**

---

Your locomotives look like the real thing, now you can make them run like the real thing, too. Digitrax decoders incorporate torque compensation for smooth as silk operation. You can also program CVs that control momentum, 3 step and 128 step speed tables, switching speed, normal direction of travel, scaleable speed stabilization and more to take full advantage of the Digitrax LocoMotion™ System.

---

## **Momentum-CV03 & CV04**

---

Momentum is part of the LocoMotion® System. Acceleration is controlled by CV03 and deceleration by CV04. Both come from the factory set to 000. A range of 000 to 031 is available for both accel and decel. We recommend that you try CV03:003 and CV04:000 as a starting point for experimenting with momentum.

---

## **Speed Tables-How the Loco Responds to the Throttle**

---

With Digitrax LocoMotion®, there are two types of speed tables: 3 Step Tables and High Resolution 28 Step Tables. Please see your Decoder Manual for a discussion of the 28 Step Tables. The 3 Step Tables are set up by programming 3 CVs: Start Voltage (CV02), Mid point Voltage (CV06) and Max Voltage (CV05). These values are set at 000 at the factory. All have a range of values from 000 to 255. We recommend the following CV values as a starting point for experimenting with speed tables.

<b>Loco Type</b>	<b>V Start CV02</b>	<b>V Mid CV06</b>	<b>V Max CV05</b>
<b>Switcher</b> Concentrated low speed. Limited top speed	002	038	064
<b>Road Switcher</b> Prototypical top speed w/evenly distributed curve from 0 to top speed	002	048	098
<b>Mainline Loco</b> Quick increase to cruising speed then levels off to prototypical top speed.	002	128	154



---

## **Other LocoMotion® Features: Switching Speed, Normal Direction of Travel & Scaleable Speed Stabilization (Back EMF) Features**

---

**Switching speed** is controlled by CV54. The factory setting is 000 for OFF. To turn on the switching speed feature, program CV54 to a value of 001. When this feature is on, use F6 to activate and deactivate switching speed. When switching speed is ON and F6 is ON, the switching speed feature is on. With the feature on the throttle's target speed is effectively reduced by about 50% and the effects of accel and decel programmed into the decoder are reduced by 1/4. This is useful for yard switching operations.

**Normal Direction of Travel** is controlled by CV29. See your decoder manual for additional information on the settings for CV29.

The intensity, or droop, of **Scaleable Speed Stabilization (Back EMF)** is controlled by CV57. The factory setting for this feature is 006 which is suitable for most locos. You can adjust this value in the range of 000 for OFF to 015 for the maximum effect. Consult your Digitrax Decoder Manual for info about CVs 55 & 56 and their effects on scaleable speed stabilization.

## **SuperSonic Silent Operation and Torque Compensation**

---

The factory settings in the decoder provide silent, smooth operation of your locomotive under most conditions. For more information about these settings, please see the Digitrax Decoder Manual or our web site.

## Function Outputs on the DG383AR

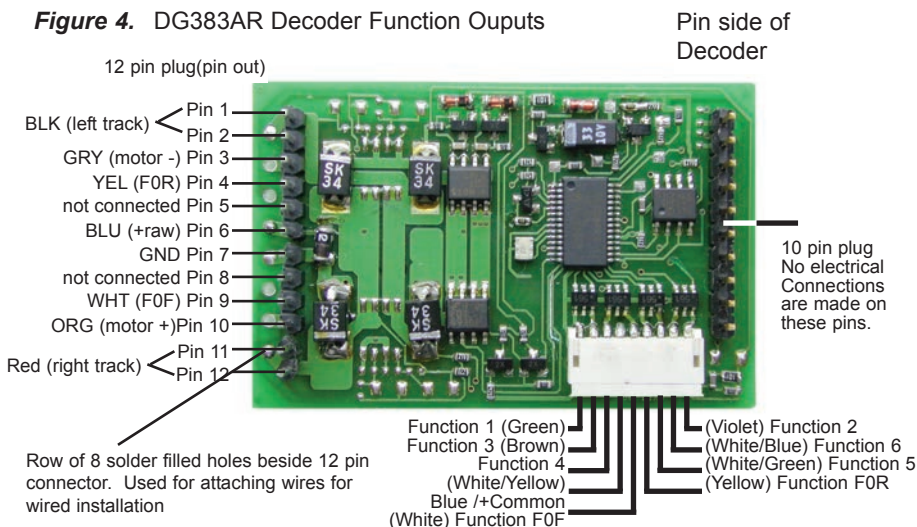
The DG383AR has eight function outputs available using the 9-pin connector located on the underside of the decoder (*Figure 4*). The DG383AR decoder is factory configured to control the directional Forward (F0F) and Reverse (F0R) lights on the locomotive through the DCC 12-pin plug. Extra connections for F0F and F0R, as well as functions F1/Green, F2/Violet, F3/Brown, F4/White/Yellow, F5/White/Green and F6/White/Blue are available using the 9 pin function harness supplied with the decoder. These functions can be used by soldering the wires as indicated in the wiring diagram (*Figure 4*) to additional lights (or other functions) you wish to control.

All 8 function outputs can be programmed as Digitrax FX<sup>3</sup> lighting effects or as standard on/off functions.

All function outputs can be qualified based on:

1. Forward or Reverse direction of travel, or
2. Whether F0 is on or off, or
3. Both direction of travel and whether F0 is on or off, or
4. Whether the locomotive is stopped or moving.

**Figure 4.** DG383AR Decoder Function Outputs



**To use DG383AR as a wired decoder** Attach wires to the 8 solder filled holes beside the 12 pin connector from Pin 1 down as follows: Black (Left Track), Gray (Motor -), Yellow (F0 Reverse), Blue (+RAW), White (F0 Forward), Orange (Motor +), Red (Right Track). Avoid wiring your DG383AR, use a DG583S instead. DG583S comes with screw terminals to make wired installations easier.



---

## Master Light Switch

---

Each of the 8 function outputs can be programmed to turn on and off with the F0 ON/OFF key on your throttle, creating a Master Light Switch. The CV values for creating this effect are listed in the Digitrax Decoder Manual in the section: *Setting Up FX & FX3 Effects on Function Outputs*.

---

## Function Remapping

---

Function remapping allows you to program the function outputs of your decoder to be controlled by selected function keys on your throttle. Please consult the Digitrax Decoder Manual or website for information on function remapping.

---

## Digitrax Transponding CV61

---

**Digitrax Transponding** is controlled by CV61. The initial factory set value is 000/x00 (OFF). To turn on transponding, program CV61 to a value of 002/x02. This allows you to use Digitrax transponding to keep track of your rolling stock. When transponding is enabled, the front light of the locomotive will flicker slightly to indicate that a transponding signal is being communicated.

---

## Decoder Reset CV08

---

**Decoder reset** lets you restore all CV values to their initial factory settings. To reset all CV values, program CV08 to a value of 008/x08. To reset all CV values EXCEPT for the values entered in your 28 speed step tables, program CV08 to a value of 009/x09.

---

## Warranty & Repair

---

Digitrax gives a one year "*No Worries*" Warranty against manufacturing defects and accidental customer damage on all Digitrax products.

**That's it! A simple, straightforward warranty with no tricky language!**

Visit [www.digitrax.com](http://www.digitrax.com) for complete warranty details and instructions for returning items for repair.



# DG383AR

G Scale Locos with single motor trucks and DCC Ready Socket

## Go Beyond DCC With



## Complete Train Control

### Main Station

Starter Sets  
LocoNet®  
Power Supplies



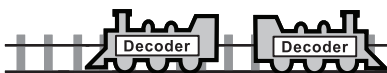
Your Digitrax LocoNet® Starter Set is just the beginning of an exciting trip! Pick the one that's right for you!



**LocoNet®**  
The Digitrax Difference

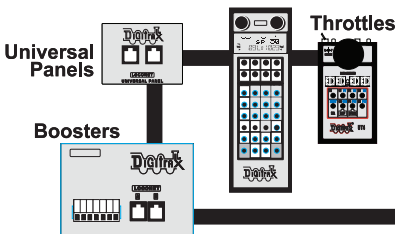
### Locomotive Shops

Mobile Decoders  
Function Decoders  
SoundFX™ Decoders



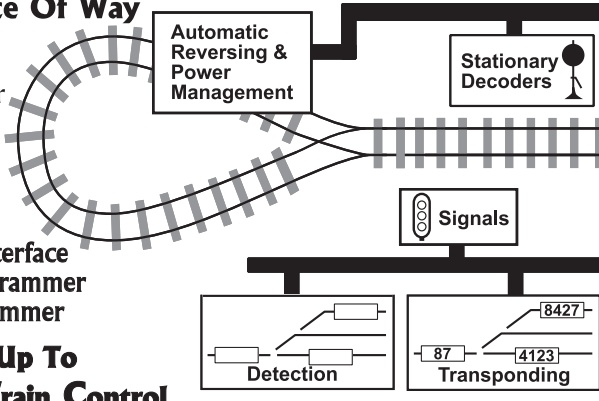
### More Fun For Everyone

Add More Boosters, Advanced & Simple Throttles, Power Supplies, Universal Panels, IR and/or Radio for more trains and operators.



### Maintenance Of Way

Make your layout more fun & simpler to operate!



### Computer Controls

Computer Interface  
Decoder Programmer  
Sound Programmer

### It All Adds Up To Complete Train Control



2443 Transmitter Road  
Panama City, FL 32404  
www.digitrax.com  
T 850-872-9890  
F 850-872-9557

Made in U.S.A.



DG383AR



6 52667 07003 4

307-5000-0002