



UP6Z

LocoNet Universal Panel and 3 Amp Z Scale Voltage Reducer

Features:

- Six LocoNet Jacks for connection to other LocoNet devices for All Scales
- Reduces Track Voltage 4 or 6 volts at 3 amps for Z Scale Operation
- Allows operation of Z scale locomotives with Digitrax

Parts List

1 UP6Z 1 Instruction sheet

Installation Instructions - UP6Z

Digitrax recommends using a track voltage of 8V or less for Z scale layouts.

UP6Z reduces track voltage from the command station/booster's N-scale setting (12V) or Zephyr Xtra's 13V output to approximately 8 Volts, by dropping output voltage by either 6 or 4 volts.

Using UP6Z as a Voltage Reducer for Z Scale Operation:

1. Disconnect power from your Command Station/Booster.
2. Connect wires from the *unpowered* command station/booster's Rail A & Rail B connections to the UP6Z's A & B "in" screw terminals.
3. Connect one wire from the "out" common X screw terminal to one rail of the track.
4. Connect the other rail of the track to EITHER the 4V or 6V "out" connector to set the voltage reduction value needed. (*See next page for Diagrams*)
5. A LocoNet connection is not required for the UP6Z to drop the track voltage. Additionally, the UP6Z does not need an external power supply, the power input is a placeholder in the case and will not supply any power to the UP6Z.
6. Set the command station/booster's SCALE switch to the "N" (12V) setting. For a Zephyr series unit, the voltage is automatically set at 13V.
7. Connect power to the command station/booster and turn on track power.
8. The LEDs on the front of the UP6Z will light to show that track power is ON. Add Z scale locomotives to the tracks and enjoy.



Complete Train Control Run Your Trains, Not Your Track!



A & B "in" connectors
To Command
Station/Booster

4V or 6V and common X
"out" connectors to track

LocoNet Ports



LocoNet Ports

Power input is not used, it is a place-
holder in the case and will not supply
any power to the UP6Z.



Using UP6Z as a Universal Panel for All Scales

1. Connect UP6Z to an existing LocoNet system.
2. Plug in LocoNet devices to any of the 6 LocoNet ports to expand LocoNet.
3. The UP6Z does not need an external power supply, the power input is a placeholder in the case and will not supply any power to the UP6Z.

Digitrax “No Worries” Warranty



Digitrax gives a one year “No Worries” Warranty against manufacturing defects and accidental customer damage on all Digitrax products. That's it! A simple, straightforward warranty with no tricky language! For complete warranty and repair details see www.digitrax.com.

Digitrax manuals and instructions are updated periodically. Please visit www.digitrax.com for the latest version.

Digitrax is not responsible for unintentional errors or omissions in this document.



UP6Z

LocoNet Universal Panel & 3 Amp Z-scale Voltage Reducer

Go Beyond DCC With **Digitrax** Complete Train Control

Main Station

Starter Sets
LocoNet®
Power Supplies



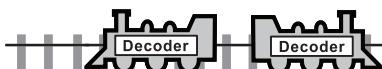
Your Digitrax LocoNet® Starter Set is just the beginning of an exciting trip! Pick the one that's right for you!



LocoNet®
The Digitrax Difference

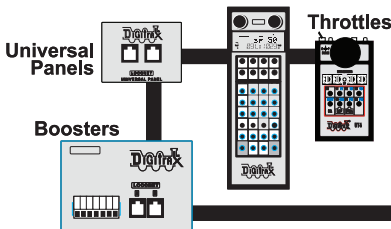
Locomotive Shops

Mobile Decoders
Function Decoders
SoundFX™ Decoders



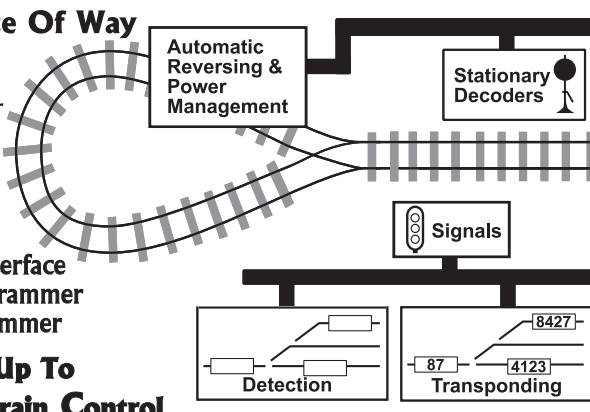
More Fun For Everyone

Add More Boosters, Advanced & Simple Throttles, Power Supplies, Universal Panels, IR and/or Radio for more trains and operators.



Maintenance Of Way

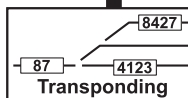
Make your layout more fun & simpler to operate!



Computer Controls

Computer Interface
Decoder Programmer
Sound Programmer

It All Adds Up To Complete Train Control



2443 Transmitter Road
Panama City, FL 32404
www.digitrax.com

SUPPORT: techsupport@digitrax.com
REPAIR: repair@digitrax.com

UP6Z



6 52667 11008 2

Made in U.S.A.

