



.450 Cemetery ST #206 Norcross, GA USA 30071
 (770)441-7992 FAX (770)441-0759
 Web Site: <http://www.digitrax.com>

DIGITAL COMMAND CONTROL THE WAVE OF THE FUTURE

DZ120

1 Amp Digital Command Control Mobile Decoder

The World's Smallest 1 amp Decoder

1.0 Amp (1.5 Amps Peak) Mobile DCC Decoder

Supports Both Short (127) and Long (10,000) Address Modes

User Programmable Address, Acceleration, Deceleration, Start-voltage, Mid-point voltage, Max-Voltage & more

Programmable from DCC compatible equipment without opening the loco

Smooth conversion to analog operation with functions operational

2 User Configurable, Independent Function Leads Rated at 125ma
 Use These as Regular Function Leads or As Directional Lights.

Smooth locomotive speed control, from zero to full throttle, with user selectable 14, 28, or 128 forward & reverse speed step capabilities

User loadable speed tables for customized speed control & loco speed matching with 128 speed step resolution

Supports Basic & UniVersal Consisting

User configurable loco direction of travel, you decide which way is forward without rewiring the motor!

Compatible with the baseline NMRA DCC Standard

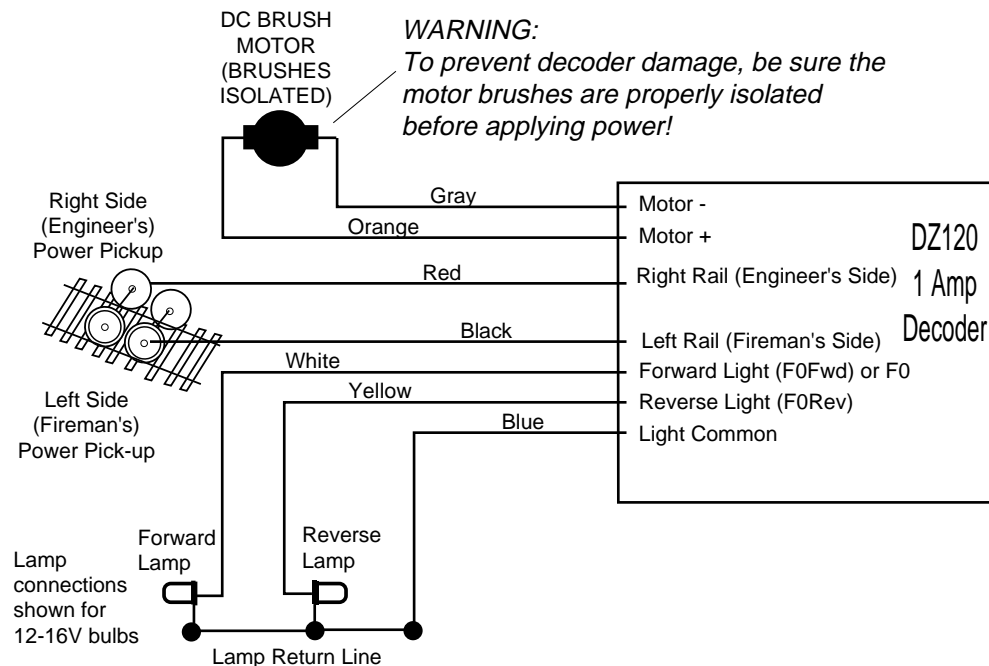
Complies with FCC Part 15, class B RFI requirements

Made in USA



Decoder Installation Wiring Diagram DZ120

See Digitrax Decoder Users Manual for complete decoder test procedures, installation instructions and technical information. This manual is available at no charge from your dealer. If your dealer is out of these manuals, contact Digitrax: (770) 441-7992, FAX (770) 441-0759 or e-mail sales@digitrax.com & we will gladly send you a copy.



Commonly Used Configuration Variables			Commonly Used Configuration Variables		
CV#	Used For	Default	CV#	Used For	Value
CV01	2-digit address	03	CV61	Directional Lights or White=F0 & Yellow=F4.	0
CV02	Start Voltage	0	CV49-54	FX Effect Set ups	1
CV03	Acceleration Rate	0	CV65-95	Loadable Speed Tables	See Manual
CV04	Deceleration Rate	0			See Manual
CV05	Maximum Voltage	0			
CV06	Mid Point Voltage	0			
CV29	Configuration Register	06=Advanced Mode, Analog Conversion On			
	Examples:	04=Standard Mode (14 Speed Steps), Analog Conversion On			
		07=Reversed Direction, Advanced Mode, Analog Conversion On			
		16=Enable Loadable Speed Table, Analog Conversion On			

Damaged decoders should be returned directly to Digitrax for repair.
 The standard repair charge is \$17.