



P.O. BOX 1424 NORCROSS, GA USA 3009-1424
(770)441-7992 FAX (770)441-0759

DIGITAL COMMAND CONTROL THE OF THE FUTURE WAVE THE

DN93FX

1.0 Amp Digital Command Control Mobile Decoder

1.0 Amp (2.0 Amps Peak) Mobile DCC Decoder

Designed to fit easily in N-scale narrow body diesel prototypes & small HO locos

Compatible with the baseline NMRA DCC Standard
Interoperable with other DCC systems

Supports both Short (127) & Long (10,000) Address Modes

User Programmable Address, Acceleration, Deceleration,
Start-voltage, Mid-point voltage & more

Programmable from DCC compatible equipment without opening the loco

Smooth conversion to analog operation

3 User Configurable, Independent Functions Rated at 125ma.
Use these as Regular function Outputs or as FX™ Outputs
To generate Special Lighting Effects

Choose from Mars, Gyalite, Single or Double Strobe, Ditch Lights and more

Smooth locomotive speed control with user selectable
14, 28, or 128 forward & reverse speed step capabilities

User loadable speed tables for customized speed control

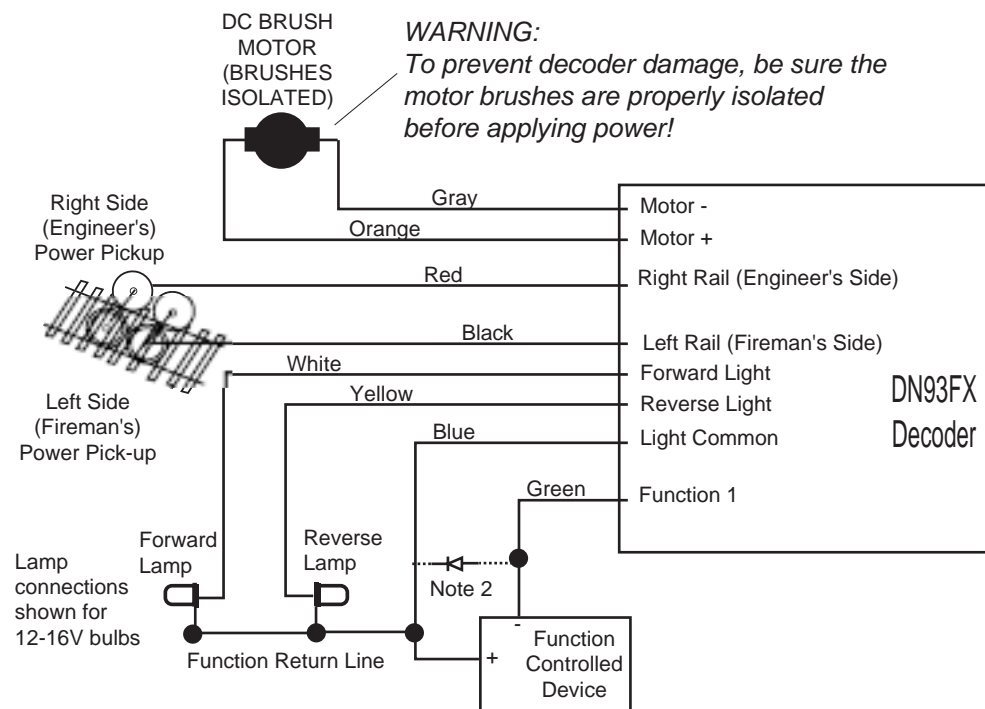
1 FX™ function output rated at 125ma

Smooth deceleration to stop before changing direction
when locomotive is reversed while moving



DN93FX Decoder Installation Wiring Diagram

See Digitrax Decoder Users Manual for complete decoder test procedures, installation instructions and technical information. This manual is available at no charge from your dealer. If your dealer is out of these manuals, call Digitrax at (770) 441-7992 and we will gladly send you a copy.



Notes:

- Light Common is the positive lead for "full wave" function power operation. Do not exceed the 200ma rating of the function outputs. If Light Common is not used, power the lamp or function from either track power pick-up for "half-wave" operation by connecting the Lamp Return Line to either track pickup.
- If you use an inductive(coil) type load, you should place an inductive kick-back suppression diode across the coil with the cathode(banded) end connected to the Light Common side. A small signal diode such as IN4148 or rectifier such as IN4001 is ideal. Be careful because an incorrectly connected diode can damage the function output.
- See the Decoder Users Manual for full details of wiring 12-16V lamps, 1.5V lamps, & LED's for full and half wave operation. Lamps that draw more than 80ma when running require a 22 ohm 1/4 watt resistor in series with the directional light function lead to protect the decoder.

Damaged decoders should be returned directly to Digitrax for repair.
The standard repair charge is \$17.