



DN163K1C

Fits Kato SD40-2 Phase 2
Locomotives (2009 onwards)

N Scale
Mobile Decoder
DCC Plug 'N Play
1 Amp/1.25 Amp Peak
6 FX³ Functions, 0.5 Amp

Features:

- **Digitrax LocoMotion[®] System**-Your locomotives look like the real thing. The Digitrax LocoMotion[®] System makes them run like the real thing, too!
 - Torque Compensation** for smooth as silk operation.
 - 128 Speed Step** operation (14 or 28 steps can also be used).
 - Momentum** with acceleration and deceleration.
 - Normal Direction of Travel** is user selectable.
 - Switching Speed** feature for easier and faster access to yard speeds.
 - 3 Step Speed Tables** set start, mid and max voltage for custom control.
 - 28 Step Speed Tables** with 256 level resolution for precise control.
- **Scalable Speed Stabilization** with simple setup & 256 level resolution.
- **SuperSonic[™]** motor drive for quiet operation.
- **FX³ Functions** for prototypical lighting effects:
 - Constant Brightness Lighting** with directional or independent control.
 - Realistic Effects** like Ditch lights, Mars lights, strobes, and many more.
 - Dynamic and Static Qualifiers** operate functions based on direction, F0 on or off, loco direction and F0, and whether loco is moving.
 - Function Remapping** for custom function setup.
 - Master Light Switch** turns off all lights & functions with one keystroke.
 - Advanced Consist Function Controls**
- **Plug 'N Play** design makes installation quick and easy.
- **GoldenWhite LEDs** for added realism.
- **Transponder ID Equipped** ready for transponding on your Layout
 - Compatible with digital surround sound systems.
- **All Mode Programming with Operations Mode Read Back**-read back CV values right on the mainline.
- **Decoder Factory CV Reset** with or without speed table initialize.
- **Motor Isolation Protection** helps prevent damage to your loco and decoder.
- **Basic, Advanced & UniVersal Consisting**
- **2 Digit and 4 Digit Addressing**
- **DCC Compatible**

Parts List

1 DN163K1C Decoder

1 Instruction sheet

Installation Information

See the Digitrax Decoder Manual for complete decoder test procedures, installation instructions, programming and technical information. Digitrax manuals and instructions are updated periodically. Please visit www.digitrax.com for the latest versions, technical updates and additional locomotive-specific installation instructions.

Installation Instructions - Kato SD40-2 Locomotive

1. Carefully remove the locomotive's shell from the frame. Notice the orientation of the light board inside so that you can install the new decoder in the same orientation.

2. Carefully remove the factory light board by sliding it toward the back of the locomotive and out from under the frame clips. Then gently lift the board out of the frame. Be careful not to bend the motor contacts. Apply a small piece of Kapton tape to frame above motor. Figure 2.

3. Install the DN163K1C decoder by tilting it slightly as you insert the front corners into the forward frame clips. Press the decoder motor clips down over the motor contacts and slide the decoder board forward so the board's corners are under the frame clips. Figure 3.

5. Replace the locomotive shell. Digitrax decoders are set up with configuration variable (CV) default values so you can run your locomotive right away using address 03.

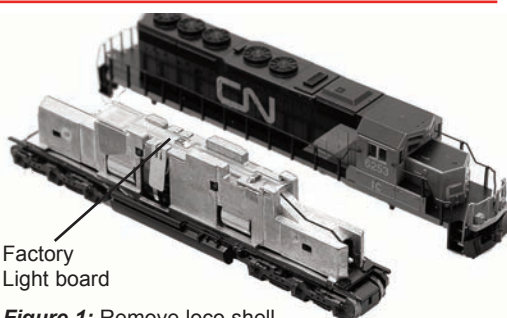


Figure 1: Remove loco shell

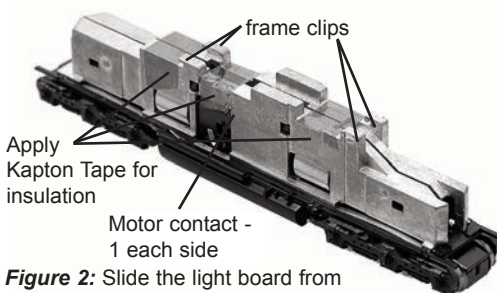


Figure 2: Slide the light board from under frame clips to remove light board

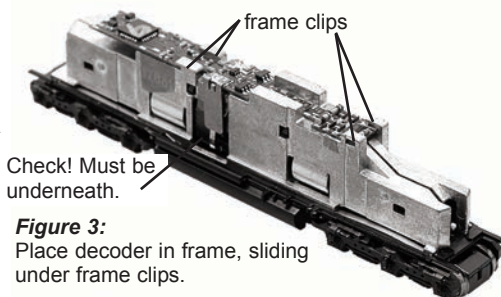


Figure 3: Place decoder in frame, sliding under frame clips.



Installation Notes:

1. Do not exceed the decoder's 500mA total function output rating.
2. To use a function output with an inductive (coil) type load, see the Digitrax Decoder Manual for more information to avoid damage to the decoder.
3. See the Digitrax Decoder Manual for full details of wiring 12-16V lamps, 1.5V lamps, and LEDs. Lamps that draw more than 80 mA when running require a 22 ohm 1/4 watt resistor in series with the directional light function lead to protect the decoder.

Customizing Your Decoder

Your Digitrax decoder is ready to run and will operate using address 03 with no additional programming. For a more prototypical railroading experience, your decoder can be customized for your specific locomotive by programming some of the Configuration Variables, or CVs, available. See the Digitrax Decoder Manual or the Digitrax web site for more information.

Changing the Decoder Address

The first CV most people change is the decoder address so that the loco can be independently controlled with it's own unique address. All Digitrax decoders are shipped with CV01 (AD2), the two digit address, set to 03. See your Starter Set Manual for complete programming instructions. Following is a brief description of how to change the decoder address with a DT series throttles.



Complete Train Control

Run Your Trains, Not Your Track!

To change the decoder address:

1. Place the loco on the programming track. Go into Program Mode on your system. On DT400 press **PROG**. On DT300, DT100 & DT200 press **RUN/STOP & FN/F0**.
2. Choose AD2 for 2 digit addressing or AD4 for 4 digit addressing (DT300 & DT400). (Ad for DT100 & DT200, see set manual for 4 digit instructions).
3. Choose the address you want to set up for the decoder.
4. Complete address programming. On DT400 press **ENTER**. On DT300, DT100 & DT200 press **SEL**.

Note: CV29 must also be programmed to enable 4 digit addressing, this is done automatically by the DT300 & DT400 but not on earlier throttles.

Digitrax LocoMotion® System

Your locomotives look like the real thing, now you can make them run like the real thing, too. Digitrax decoders incorporate torque compensation for smooth as silk operation. You can also program CVs that control momentum, 3 step and 128 step speed tables, switching speed, normal direction of travel, scaleable speed stabilization and more to take full advantage of the Digitrax LocoMotion® System.

Speed Tables-How the Loco Responds to the Throttle

There are two types of speed tables: 3 Step Tables and High Resolution 28 Step Tables. Please see your Decoder Manual for a discussion of the 28 Step Tables. The 3 Step Tables are set up by programming 3 CVs: Start Voltage (CV02), Mid point Voltage (CV06) and Max Voltage (CV05). These values are set at 000 at the factory. All have a range of values from 000 to 255. We recommend the following CV values as a starting point for experimenting with speed tables.

Loco Type	V Start CV02	V Mid CV06	V Max CV05
Switcher Concentrated low speed. Limited top speed	002	038	064
Road Switcher Prototypical top speed w/evenly distributed curve from 0 to top speed	002	048	098
Mainline Loco Quick increase to cruising speed then levels off to prototypical top speed.	002	128	154



Momentum-CV03 & CV04

Acceleration is controlled by CV03 and deceleration by CV04. Both come from the factory set to 000. A range of 000 to 031 is available for both accel and decel. We recommend that you try CV03:003 and CV04:000 as a starting point for experimenting with momentum.

Other LocoMotion® Features: Switching Speed, Normal Direction of Travel & Scaleable Speed Stabilization Features

Switching speed is controlled by CV54. The factory setting is 000 for OFF. To turn on the switching speed feature, program CV54 to a value of 001. When this feature is on, use F6 to activate and deactivate switching speed. When switching speed is ON and F6 is ON, the switching speed feature is on. With the feature on the throttle's target speed is effectively reduced by about 50% and the effects of accel and decel programmed into the decoder are reduced by 1/4. This is useful for yard switching operations.

Normal Direction of Travel is controlled by CV29. See your decoder manual for additional information on the settings for CV29.

The intensity, or droop, of **Scaleable Speed Stabilization** is controlled by CV57. The factory setting for this feature is 006 which is suitable for most locos. You can adjust this value in the range of 000 for OFF to 015 for the maximum effect. Consult your Digitrax Decoder Manual for info about CVs 55 & 56 and their effects on scaleable speed stabilization.

SuperSonic™ and Torque Compensation

The factory settings in the decoder provide quiet, smooth operation of your locomotive under most conditions. For more information about these settings, please see the Digitrax Decoder Manual or our web site.

Function Outputs on the DN163K1C

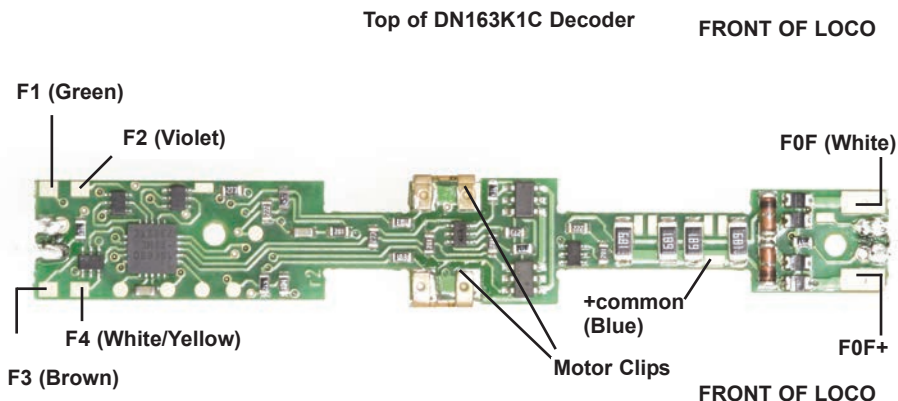
The DN163K1C is set up at the factory to control six functions. The unit is prewired with two white LEDs set up for directional lighting as F0F/F0F+ for the front light and F0R/F0R+ for the rear light. Functions F1 (Green), F2 (Violet), F3 (Brown) and F4 (White/Yellow) can be used by soldering a wire from the pad for the function you wish to use to the lamp (or other function) you wish to control. The wire colors indicated are the standard color code used in the industry (you can use any color you like). These colors are important if you plan to use function remapping.

CAUTION: When adding function wires, be very careful that the wires you add do not come into contact with any other pads or components on the board where they might create a short circuit, damage the board and void the warranty.

All six function outputs can be easily set up with Digitrax FX³ lighting effects or as standard on/off functions with the following operational qualifiers:

1. Forward or Reverse direction of travel, or
2. Whether F0 is on or off, or
3. Both direction of travel and whether F0 is on or off, or
4. Whether the locomotive is stopped or moving.

Figure 5: Connecting More Functions to Your DN163K1C Decoder



Programming Ditch Lights

To program your decoder for alternating ditch lights use the following CVs: CV51 = 106, CV52 = 107, CV63 = 64. The ditch lights are wired to the F1 and F2 outputs for this.

Function Remapping

Function remapping allows you to program the function outputs of your decoder to be controlled by selected function keys on your throttle. Please consult the Digitrax Decoder Manual or website for information on function remapping.

Digitrax Transponding CV61

Digitrax Transponding is controlled by CV61. The default value is 000 for OFF. To turn on transponding, program CV61 to a value of 002. This allows you to use Digitrax transponding to keep track of your rolling stock.

Decoder Reset CV08

Decoder reset lets you reset all CV values to the factory default settings. To reset all CV values, program CV08 to a value of 008. You also have the option of resetting all values except the 28 speed step tables. To do this, program CV08 to a value of 009.

Warranty & Repair

Digitrax gives a one year *"No Worries" Warranty* against manufacturing defects and accidental customer damage on all Digitrax products.

Visit www.digitrax.com for complete warranty details and instructions for returning items for repair.



Damaged decoders should be returned directly to Digitrax for repair.

Digitrax, Inc. is not responsible for unintentional errors or omissions in this document.



DN163K1C

Plug 'N Play Decoder for Kato SD40-2 Locomotives

Go Beyond DCC With



Complete Train Control

Main Station

Starter Sets
LocoNet®
Power Supplies



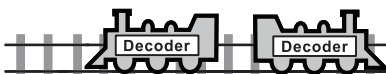
Your Digitrax LocoNet® Starter Set is just the beginning of an exciting trip! Pick the one that's right for you!



LocoNet®
The Digitrax Difference

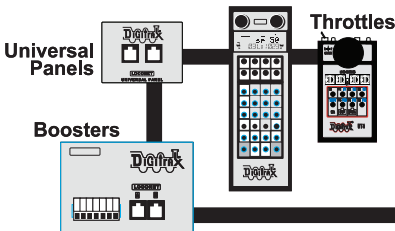
Locomotive Shops

Mobile Decoders
Function Decoders
SoundFX™ Decoders



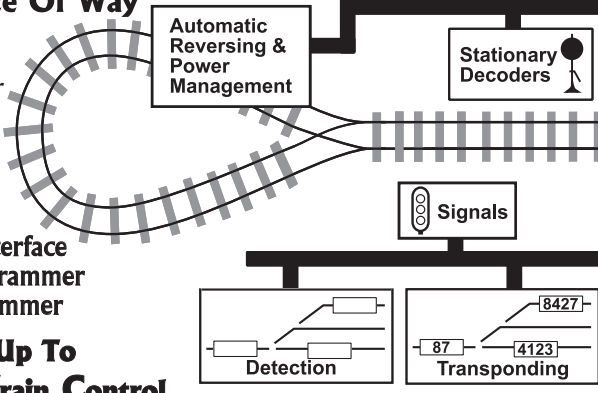
More Fun For Everyone

Add More Boosters, Advanced & Simple Throttles, Power Supplies, Universal Panels, IR and/or Radio for more trains and operators.



Maintenance Of Way

Make your layout more fun & simpler to operate!



Computer Controls

Computer Interface
Decoder Programmer
Sound Programmer

It All Adds Up To Complete Train Control



Made in U.S.A.



2443 Transmitter Road
Panama City, FL 32404

www.digitrax.com
T 850-872-9890
F 850-872-9557

DN163K1C



6 52667 05040 1

307-DN163K1C/MN