



PR4

PR4 USB to LocoNet Interface with Decoder Programmer

Features:

- Multifunction USB to LocoNet connectivity for your railroad.
- Electrically Isolated between USB and LocoNet.
- Digitrax “SoundLoader” compatible. Programs Digitrax sound projects to SFX decoders.
- Programs CV’s for most DCC decoders.
- LocoNet MS100 mode with Fully Buffered Input and Output data.
- Runs on Windows XP, Vista, 2000, 7, 8 and Windows 10.
- Runs on Mac OS with JMRI.
- Automatic configuration. No jumpers or switches required.
- Standalone operation for CV and SoundFX programming without needing a Digitrax Command Station.
- LED state indicator lights.
- Small, convenient package.
- Firmware updates available from Digitrax Web site.
- Meets FCC Class B requirements. Program CVs using any Digitrax Compatible Control system without having to buy any extra equipment.
- Digitrax “No Worries” Warranty.

Parts List

1 PR4 Programmer	1 USB Cable
1 PS14 Power Supply	1 Instruction Sheet

PR4 Overview

The PR4 is a USB to LocoNet interface that allows communication between a Computer and LocoNet. It also allows for easy computer programming of your decoders via USB. The PR4 is designed to be used with Digitrax SoundLoader II and other Digitrax computer utility programs. It can also be used as an interface for other 3rd party compatible layout control software.

The PR4, SoundLoader II and other Digitrax Utilities have been tested to work on PC compatible computers running 550MHz and up, Windows XP, Vista, 2000, 7, 8, 10 and 512MB of RAM.

Other combinations of hardware and software may also work, but are not supported by Digitrax, and have not been tested to operate properly.

PR4 Installation

Installation consists of two steps: (a) Driver and Software installation, (b) Hardware Setup

PR4 Driver and Software Installation

Before the PR4 can be used, drivers for your specific Windows version must be installed. Drivers and Windows version specific instructions are available from the Digitrax website PR4 Product page: www.digitrax.com/pr4.

It is recommended that you download and Install the SoundLoader II package. The installer package for SoundLoader II contains the drivers as well as utility software that is designed for the PR4. Driver only downloads are also available. Once you have the PR4 drivers available follow the Installation Instructions for your specific computer operating system.

The PR4 uses the same driver as the PR3 and the DCS240. If you've previously installed a PR3 or DCS240 on the computer you are connecting to, you will not need to reinstall new drivers. Note that the PR4 will be issued a new COM port number that is different from previously installed hardware.

NOTE: Drivers must be installed for the PR4 to operate.

PR4 Hardware Installation

Once you have installed the Drivers simply connect your PR4 to your computer via USB cable. The USB indicator will glow Blue to indicate the USB is enumerated and connected to a computer responding with proper drivers. If doing Decoder Programming connect an **isolated** piece of track to the Program Track outputs and connect the provided PS14 power supply. If using the PR4 for LocoNet Communications connect it to LocoNet via the LocoNet Jacks. It can be connected anywhere that is convenient on your LocoNet.

Additional PR4 Troubleshooting

The PR4 requires a driver for Windows. If the driver is not installed or not installed correctly the PR4 will not operate with the computer.

To verify proper installation of the drivers, go to the Windows Device Manager. Under Ports (COM & LPT) there should be a Communications Port (COMx) listed, where COMx is the communications port number or com port. Right clicking on the communications port and then clicking on Properties should show Digitrax, Inc. as the Manufacturer.

The correct enumerated COMx port number must be entered into the Soundloader II or other utility programs for proper operation.

The USB indicator will light Blue when USB is correctly connected and the unit is in LocoNet Interface Mode(MS100). The USB indicator will blink on/off Blue when the unit is in Sound/Decoder Programmer Mode. This is triggered automatically when the SoundLoader II program is opened.

14v DC power is required for Sound/Decoder Programming via USB.

Digitrax SoundLoader II

Using Digitrax SoundLoader II software with your PC and the Digitrax PR4 Programmer you can create, manage, test, and download the Digitrax sound projects (.spj) in your SoundFX decoders. You can select which sound files (.wav) you want to have associated with different sound sequences in any sound project and download the modified sound project to any Digitrax SoundFX decoder. This gives you the ability to customize your sound decoders any way you want! Visit www.digitrax.com/sound-depot/ for more details.

Advanced Setup and Additional Instructions

Additional Advanced setup instructions including OPSW and ID setup are available on the Digitrax Tech Support Depot, and at www.digitrax.com/pr4adv.

Warranty & Repair

Digitrax gives a one year “*No Worries*” *Warranty* against manufacturing defects and accidental customer damage on all Digitrax command stations, boosters, throttles, decoders, power supplies and layout control devices.

That’s it! A simple, straightforward warranty with no tricky language!

Visit www.digitrax.com for complete warranty details and instructions for returning items for repair.

Please return warranty items directly to Digitrax - DO NOT return items to place of purchase.



PR4 Decoder Programmer

Program DCC decoders - USB Interface standard

Go Beyond DCC With **Digitrax** Complete Train Control

Main Station

Starter Sets
LocoNet®
Power Supplies



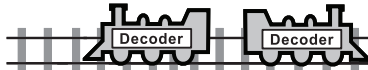
Your Digitrax LocoNet® Starter Set is just the beginning of an exciting trip! Pick the one that's right for you!



LocoNet®
The Digitrax Difference

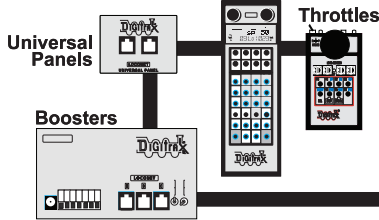
Locomotive Shops

Mobile Decoders
Function Decoders
SoundFX™ Decoders



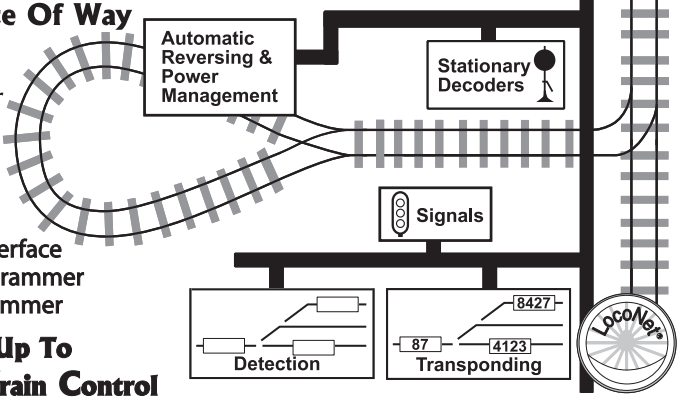
More Fun For Everyone

Add More Boosters, Advanced & Simple Throttles, Power Supplies, Universal Panels, IR and/or Radio for more trains and operators.



Maintenance Of Way

Make your layout more fun & simpler to operate!



Computer Controls

Computer Interface
Decoder Programmer
Sound Programmer

It All Adds Up To Complete Train Control



Made in the USA

Part 15, Class B
RFI Compliant



2443 Transmitter Road
Panama City, FL 32404

www.digitrax.com

Need Support?

helpdesk.digitrax.com

PR4



6 52667 12007 4

307-PR4-00