



**Digitrax Command Control**  
**Run Your Trains, Not Your Track!**

# PR2

**Programmer for Digitrax  
SoundFX™ Decoders**



## Features

- **Use with your PC, Programming Track and 12V DC Power Supply**
- **Customize any Digitrax SoundFX Decoder.** Create, manage, test, & download Digitrax sound projects (.spj ) into your SoundFX decoders.
- Select which sound files (.wav) to associate with sound sequences in any sound project and download the modified sound project to any Digitrax SoundFX decoder
- **Digitrax SoundLoader™ Software included.**

## Parts List

1 PR2	1 CC3 Cable
1 SoundLoader Installation CD	1 Installation Sheet
1 DB25M to DB9F adapter	

### **In addition, the PR2 requires:**

A 12-15V DC Power Supply (Digitrax recommends the PS12)

A PC Computer running Windows XP with SoundLoader or equivalent program running

An isolated programming track section

## PR2 Installation Steps

1. Install PR2 Hardware
2. Install SoundLoader Software
3. Place your locomotive with SFX decoder on the PR2 programming track
4. Test, Download and Enjoy!

Digitrax Manuals, Instructions and Software are updated periodically.

Please visit [www.digitrax.com](http://www.digitrax.com) for the latest version of all manuals and for the latest Sound Project and SoundLoader software downloads.

This manual was last updated 06/06.

---

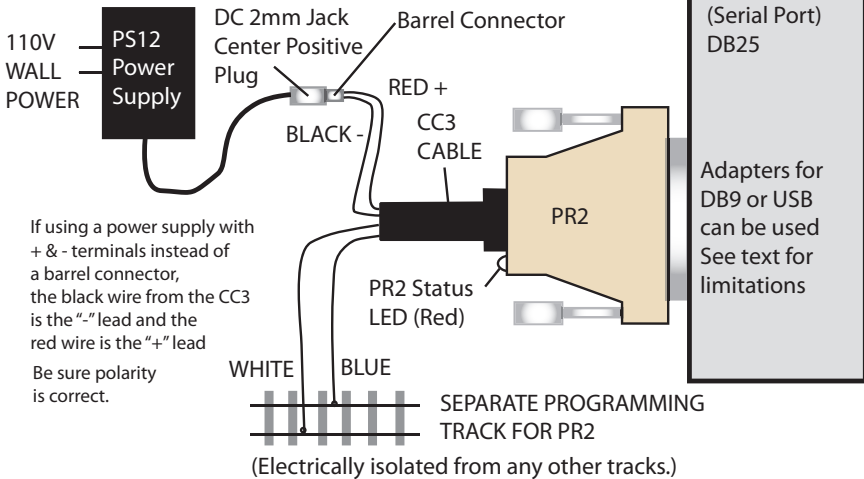
---

## PR2 Hardware Installation Diagram

### EXTERNAL POWER SUPPLY

12V to 15V DC (20V DC MAX)

Digitrax PS12 Power Supply Recommended



---

## PR2 Hardware Installation Steps

- 1) Connect the PR2's 25 pin connector to the DB25 25 pin serial or COM port on your PC.
  - a) The 9 pin to 25 pin adapter can be used if your PC has a 9 pin serial port connector.
  - b) A USB type COM port adapter can be used if your computer does not have a serial port, make sure it is installed correctly and plugged into your PC before installing the PR2 and running SoundLoader.
  - c) Only a fully implemented USB to COM adapter with hardware handshaking is compatible with the PR2. Some PDA types of USB COM adapters cannot be used successfully with PR2. See [www.digitrax.com](http://www.digitrax.com) for USB adapters that have been tested for proper operation.
- 2) Connect the blue and white wires from the CC3 cable to the isolated track section that will be used as the programming track for locomotives equipped with SoundFX decoders.
  - a) Do not connect the blue and white track output wires of the PR2 to anything but the isolated track used for testing SoundFX decoders.
  - b) Be sure that these 2 track wires are not shorted together or to any other track or power source, because this will cause an overload of the PR2, and may cause damage.
- 3) Connect a 12 Volt DC power supply to the 2mm diameter (center positive) power input jack on the CC3 cable. Digitrax strongly recommends the Digitrax PS12 for powering your PR2.

- 
- 
- a. **Caution:** Do not exceed a peak voltage input of 18V DC into the 2mm power jack or the (red and black) power input wires on the CC3 connected to the PR2, because this may cause damage & will void the warranty.
  - b. Do not use an AC power input.
- 4) Connect the CC3 cable into the PR2 6 pin RJ12 connector. When DC power is applied, the PR2's Status LED, located adjacent to the RJ12 connector, will pulse RED about every 3 seconds.
  - 5) This RED "heartbeat" on the PR2's Status LED indicates that the PR2 is powered up successfully and is waiting for commands from Digitrax SoundLoader™ or other PR2 compatible software sent over your PC's COM serial port connection.

## **SoundLoader™ Software Installation and Set Up**

---

- 1) Insert the SoundLoader™ CD in your PC's CD Drive.
- 2) The Installation CD will run automatically. If it does not, you'll need to open it from your desktop and run the SoundLoaderSetup.exe file from the CD to install Digitrax SoundLoader. Follow the prompts and accept the default file paths unless you wish to install the program in different folders.
- 3) The first time you run SoundLoader, you must select the COM port on your PC that you will use to connect to the PR2
  - a) Run the SoundLoader program. An Icon for the SoundLoader program should be on the desktop by default. Double click on it to begin the program. Alternately you may use the Windows "Start" bar to select and run SoundLoader.exe.
  - b) Select the main menu COM Port and select the COM port that will be used.
  - c) Once the SoundLoader software is installed, the correct COM port is selected and is communicating successfully with the PR2:
    - i) The SoundLoader Software program status line will indicate "PR2 connected and ready",
    - ii) The PR2's Status LED will change to steady RED with a brief blink off every 3 seconds to indicate the PR2 hardware and communications are operating correctly.
- 4) The PR2 and SoundLoader are now ready to use!

NOTE: Digitrax periodically updates the SoundLoader software. The latest version of SoundLoader and other resources can also be found on the Digitrax Web site, <http://www.digitrax.com/soundloaderupdate>

Copyright © 2006 Digitrax, Inc. world wide rights reserved. Contents of these pages are not to be reproduced or reprinted in any form without the express written consent of Digitrax, Inc.

Digitrax, Inc. owns the rights to the following patents which may cover cover technology associated with PR2: US 6,275,739. Additional patents may have been granted and additional patent applications may be pending.

***Digitrax, Inc. is not responsible for unintentional errors or omissions in this document.***



PR2

Programmer for Digitrax SoundFX™ Decoders

# Go Beyond DCC With



# Complete Train Control

## Main Station

Starter Sets  
LocoNet®  
Power Supplies



Your Digitrax LocoNet® Starter Set is just the beginning of an exciting trip! Pick the one that's right for you!



**LocoNet®**  
The Digitrax Difference

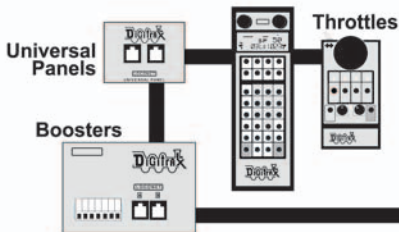
## Locomotive Shops

Mobile Decoders  
Function Decoders  
SoundFX™ Decoders



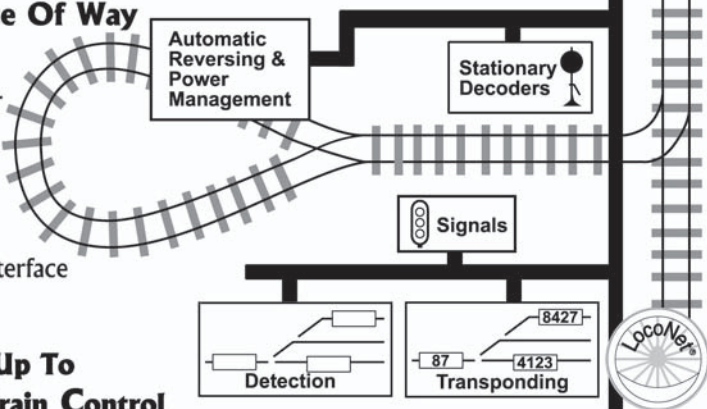
## More Fun For Everyone

Add More Boosters, Advanced & Simple Throttles, Power Supplies, Universal Panels, IR and/or Radio for more trains and operators.



## Maintenance Of Way

Make your layout more fun & simpler to operate!



## Computer Controls

Computer Interface Programmer

## It All Adds Up To Complete Train Control



2443 Transmitter Road  
Panama City, FL 32404

www.digitrax.com

T 850-872-9890

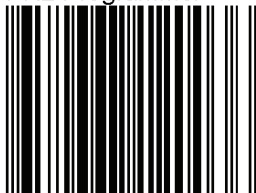
F 850-872-9557

E sales@digitrax.com

Made In U.S.A.



PR2 Programmer



6 52667 12003 6

1K01/09  
307-PR2 MAN