



Complete Train Control
Run Your Trains, Not Your Track!

BATCOV Replacement Battery Cover

BATCOV Contents:

- 1 Replacement Battery Cover
- Instruction Sheet

How to remove and replace your battery cover



1. To Remove the battery cover, hold the cover by the heel of your hand, use four fingers on the front compartment and slide the cover straight off.

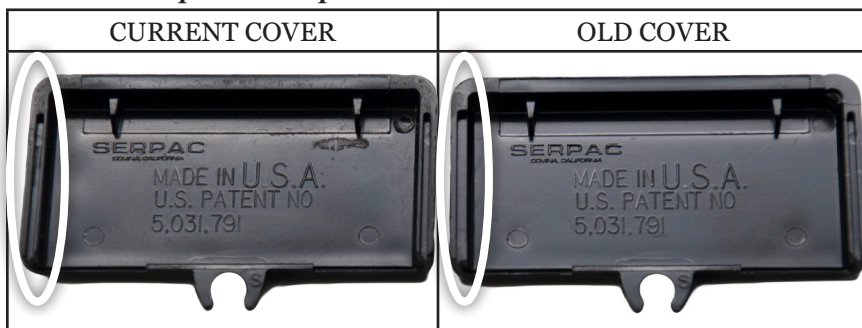


2. To Replace the battery cover, simply slide it back on the same way.

For a video of this procedure visit: www.digitrax.com/batterycover
BATCOV carries a 90 Day Warranty On Materials & Workmanship Only.

Battery Cover Compatibility

The cover in this package fits all current production Digitrax throttles. Older throttles use a slightly different throttle cover. Note the highlighted areas to see the difference between the current and old cover versions. It is possible to remove some of the material on the current cover to make it work with older version cases. **Customer modifications of battery cover voids all warranties express or implied.**





BATCOV Replacement Battery Cover

Go Beyond DCC With **Digitrax** Complete Train Control

Main Station

Starter Sets
LocoNet®
Power Supplies

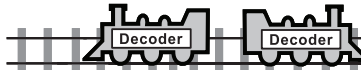


Your Digitrax LocoNet® Starter Set is just the beginning of an exciting trip! Pick the one that's right for you!



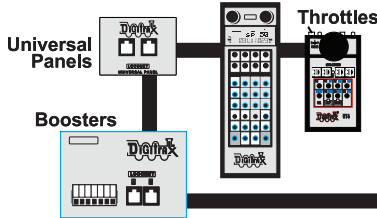
Locomotive Shops

Mobile Decoders
Function Decoders
SoundFX™ Decoders



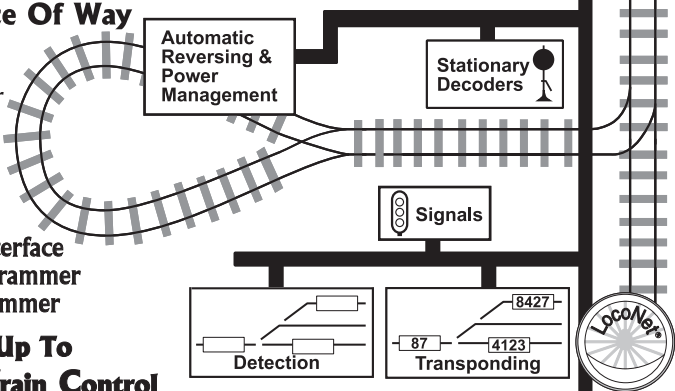
More Fun For Everyone

Add More Boosters, Advanced & Simple Throttles, Power Supplies, Universal Panels, IR and/or Radio for more trains and operators.



Maintenance Of Way

Make your layout more fun & simpler to operate!



Computer Controls

Computer Interface
Decoder Programmer
Sound Programmer

It All Adds Up To Complete Train Control



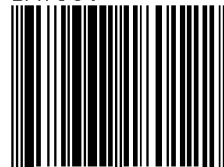
2443 Transmitter Road
Panama City, FL 32404
www.digitrax.com

Made in the USA



Contact: www.digitrax.com/contact
Support: techsupport@digitrax.com
Repair: repair@digitrax.com

BATCOV



6 52667 18012 2