



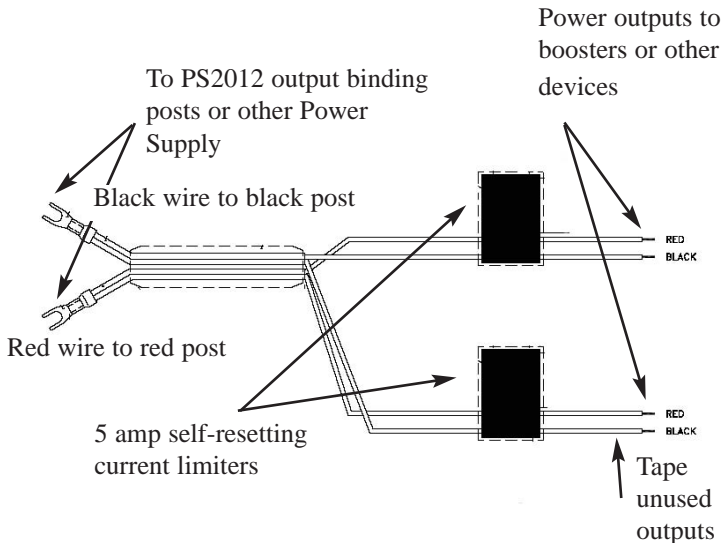
Digitrax Command Control
Run Your Trains, Not Your Track!

YC52 'Y' Cable

Dual 5 Amp
All Scales
Dual Current
Protected Splitter Cable

Features:

- For use with PS2012 power supplies or similar.
- Each 'Y' Cable comes with dual 5 amp protected outputs
- See the Digitrax PS2012 manual for additional information
- Up to 24 volt AC or DC compatible
- For SELV (Safety Extra Low Voltage) usage only



- Be sure any attached devices can safely accept the current that can be conveyed by this product
- If current limiter trips, turn off input power and allow to cool before restarting.