



LT1

Decoder and LocoNet® Cable Tester

Features:

- Use as a diagnostic test light
- Test decoders prior to installation
- Test track power
- Test LocoNet™ cables

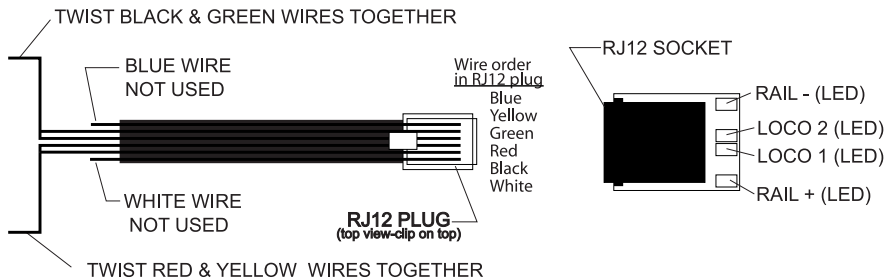
Parts List

- | | |
|---------------------------|---------------------|
| 1 LT1 | 1 LocoNet Cable 6" |
| 1 120 Ohm/2 Watt Resistor | 1 Instruction Sheet |

Decoder Testing Instructions

1. Prepare the cable for use in the testing procedure, by stripping the insulation from the Red, Green, Black, and Yellow wires. The Blue and White wires are used to test Rail Sync only.
2. Twist the RED and YELLOW wires together. Twist the BLACK and GREEN wires together. (see *Diagram 1*)

Diagram 1. Preparing cable for testing



HARNESS

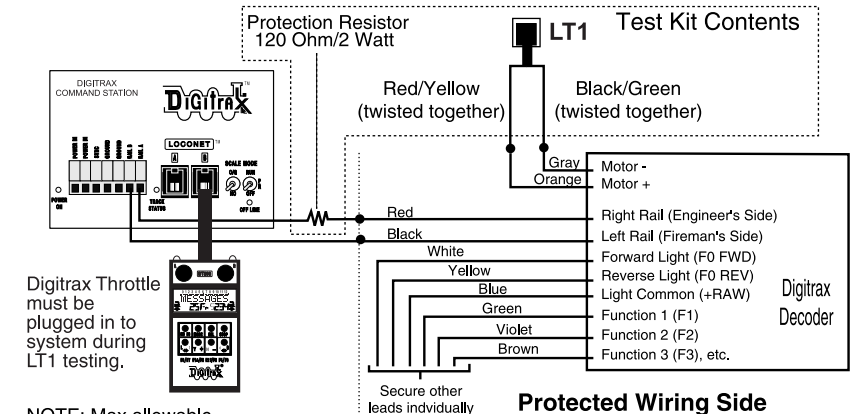
LT1 TESTER

3. Hook up decoder as shown in *Diagram 2*.
4. Use your throttle to select the decoder and run it in the forward direction.
5. One of the two center LEDs will light as the motor voltage from the decoder increases. Use your throttle to change direction and the other center LED will light.



6. Test other decoder functions by connecting the LT1 to the Blue decoder common and one of the function leads.
7. Use your throttle to turn the function on and off. One of the two center LEDs will go on and off with the function. Do this test for all function leads separately.

Diagram 2. Test procedure setup



NOTE: Max allowable decoder input voltage is 21V DC Peak

To Test LocoNet Cables With an LT1

1. Unplug the wire harness from the LT1.
2. Plug one end of the LocoNet cable you want to test into the LT1.
Note: When making your own LocoNet Cables, it is important to make them in a consistent manner. At Digitrax, the white wire is always on the right side of the plug when the plug is viewed with the clip at the top.
3. Connect the other end of the LocoNet Cable being tested to any powered Digitrax Booster's LocoNet Port A or B. Be sure you have at least one Digitrax throttle plugged in to your LocoNet during this test.
4. All four LEDs on the LT1 will light if the cable is good. LEDs may not all be the same brightness, this is normal. Note: If a Digitrax throttle is not plugged in, only three LEDs will light.
5. If any of the LEDs fail to light, re-crimp the plug on the cable and re-test.



Made in U.S.A.



2443 Transmitter Road
Panama City, FL 32404
www.digitrax.com
T 850-872-9890
F 850-872-9557
E sales@digitrax.com

LT1 Tester



6 52667 15001 9