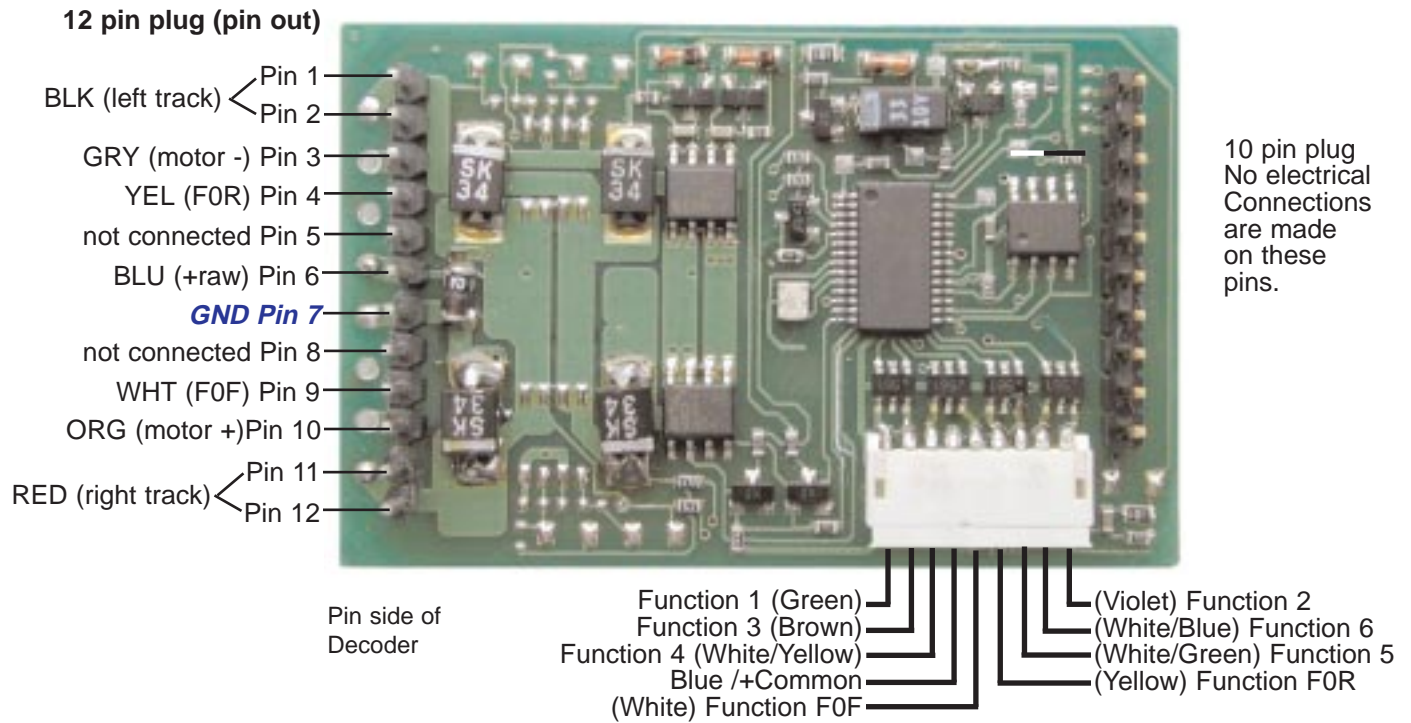


DG383AR with Aristocraft Alco FA-1

Before installing a DG383AR in an Aristocraft Alco FA-1, remove pin #7 from the decoder.

If you do not do this, the loco will cycle between forward and reverse as soon as power is applied to the tracks.

Figure 1. DG383AR Decoder Pin Out



Note: Following G-Scale convention, BLK/left hand rail pickup (+v) is DC forward. DCC forward applies +v to motor -/GRY