



BDL16 UPGRADE KIT

Upgrade to BDL162

Features

- **Automatically reports layout status** on power up of your system
- **Operations Mode (Mainline) readback** allows you to read CV values of transponder-equipped decoders on layouts equipped with transponding

Parts List

- | | |
|-----------|---------------------|
| 1 FE chip | 1 Instruction sheet |
|-----------|---------------------|

Chip Installation

Upgrading the BDL16 to the BDL162 is as easy as replacing a chip. You will not even have to reset the board address or ops switch settings that you have already made to your BDL16.

Caution: CPU chips are sensitive to static electricity. Use safe handling procedures to avoid damage to the chip during installation.

- 1 Test the BDL16 prior to removing the old CPU. The LT5 tester should show occupancy detection in each section that is connected and power to the detection zones. If you are using transponding, check to make sure that transponding is working.
2. Turn the system power off. Remove the BDL16 from the 44-pin connector before removing the existing CPU.
3. Use a thin bladed screwdriver to lift the existing CPU chip from the socket.
4. Carefully straighten any bent pins on the new chip (included in this kit). The pins on the chip may need to be bent inward slightly to fit into the socket.
5. Plug the new chip into the socket in the orientation shown on the back of this sheet. Note the notch on the end of the chip for proper orientation.
6. Be sure the replacement chip is fully seated.
7. Reinsert the board into the 44-pin connector. Turn System power on and retest occupancy detection and transponding (if installed) to verify proper installation of the new CPU chip.
8. The board address and any ops switch settings made prior to the insertion of the new chip are retained in the eeprom on the board, so there is no need to reset any settings.

Digitrax Manuals & Instructions are updated periodically.

Please visit www.digitrax.com for the latest version of all manuals.

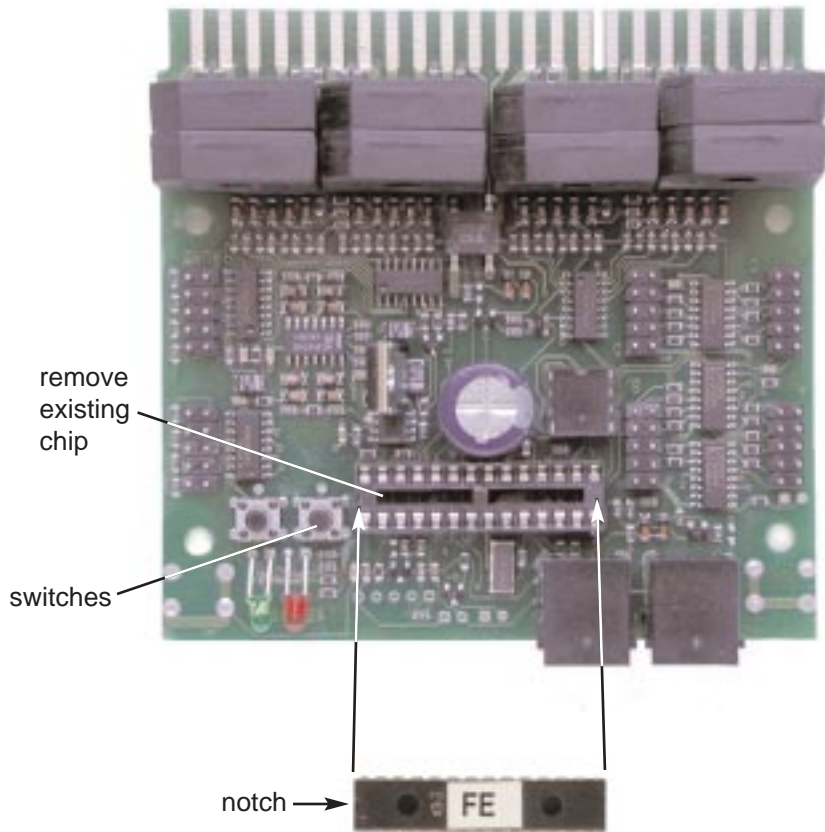
Digitrax is not responsible for unintentional errors or omissions in the document.



BDL16 Upgrade Kit

Upgrades to BDL162

Turn system power off. Remove the BDL16 from the 44-pin connector before removing existing chip



Place the new FE chip into the socket with the notch end toward the switches.
(NOTE: chip label may be upside down when notch is in correct position.)



Made in U.S.A.



450 Cemetery Street
Norcross, GA USA 30071
www.digitrax.com
T 770-441-7992
F 770-441-0759
E sales@digitrax.com

BDL162 Upgrade



306-3002-0000